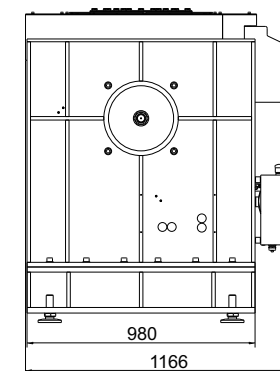
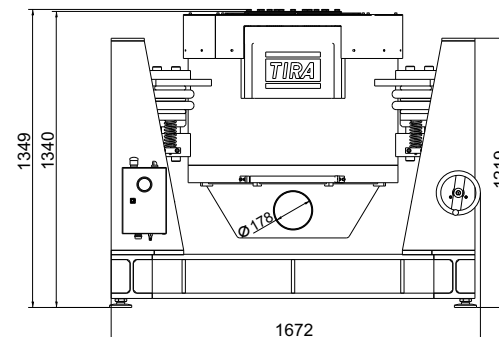


**TECHNICAL PARAMETERS** Vibration exciter S 59349/AIT-640

Rated peak force Sine <sub>pk</sub> /Random <sub>RMS</sub> <sup>1</sup> /Shock <sub>pk</sub> <sup>2</sup>	49500/48000/148500 N
Frequency range	5 - 2000 Hz
Main resonance frequency	2000 Hz
Max. displacement Peak-Peak	50.8 mm
Max. velocity Sine/Random/Shock	2.0/2.0/3.0 m/s
Max. acceleration Sine/Random/Shock	70/70/160 g
Suspension stiffness	200 N/mm
Effective moving mass	55.0 kg
Max. payload	910 kg
Total mass	4550 kg
Magn. stray field std./low degaussing <sup>3</sup>	<2/<1 mT
Armature diameter	640 mm
Min. required compressed air supply	600 kPa
Interlocks	Temperature, displacement, cooling air, overcurrent, compressed air



1) Random force according to ISO 5344:2004  
2) Theoretical maximum shock value. Depends on payload, amplifier, shock and shock width  
3) measured at 150 mm above armature inserts  
For long-term tests, the load must be reduced to 80 %. Continuous operation at maximum load can cause damage.

**SCOPE OF DELIVERY, OPTIONS AND FEATURES OF THE SYSTEM**

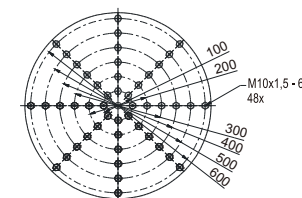
**Scope of delivery:**  
Vibration exciter 49.5 kN  
Trunnion mount  
with integrated vibration isolation (AIT)  
Power amplifier 60 kVA  
Cooling blower with frequency converter  
Connection cables (each 10 m)  
Power cables (each 10 m)  
for amplifier (direct connection) and cooling blower (CEE 63 connector)  
Blower hose ø175 mm (5 m)  
Compressed-air hose NW 7,2 (Standard) (5 m)

**Options:**  
Different hole pattern of armature (different pitch diameter and/or thread inserts) at customers request  
Low degaussing kit to further reduce stray magnetic field  
Airglide-option (Shaker movable on air cushions)  
Squeak&Rattle (Silent operation without blower)  
Thermobarrier (-40°C to +140°C)  
Chamber leadthrough  
Climatic chamber support kit  
Remote control (Software)  
ASM-Mode (Auto Shutdown Manager)  
Silencer  
for cooling blower (Noise reduction 9 - 15 dB(A))  
Acoustic enclosure  
for cooling blower (Noise reduction 5 - 23 dB(A))  
Water-cooled acoustic enclosure  
for cooling blower (Noise reduction 30 dB(A))  
Cable extension  
Factory acceptance test

**Options:**  
**TIRA EMS** Energy Management System

Operation with temperature-controlled cooling blower (and optional with variable field strength)

**Features:**  
AIT-trunnion mount  
with integrated vibration isolation < 3 Hz  
Coarse filter unit  
Fully automatic pneumatic load compensation  
AIT fixable  
Automatic centering of the AIT-System and the armature  
Degauss kit to reduce stray magnetic field  
Made in Germany  
Servicehotline



Armature 640 (Standard)

## TECHNICAL PARAMETERS Amplifier A 2 11 11 105

Output power <sub>RMS</sub>	60000 VA
Frequency range	DC - 5 kHz
Voltage <sub>RMS</sub> , max.	±212 V
Current <sub>RMS</sub> , max.	500 A
Signal input voltage	10 V
Total Harmonic Distortion (at 70A <sub>RMS</sub> , 200 Hz)	< 0.2 %
Signal to noise ratio	> 80 dB
Field voltage	112 V
Field current	100 A
Total mass	860 kg
Dimensions (WxHxD)	1200 x 1740 x 800 mm
Power supply (Standard)	3~ / N / PE 400 V±5% 50 Hz Direct connection (Terminal block)
Recommended fuse protection (Standard)	80 A slow
Max. power consumption at 400 V	52 kVA
Interlocks:	Overload, Temperature, Displacement, Cooling air, Compressed air, Phase monitoring, Emergency stop

### Features:

- Field supply integrated
- Mains switch and integrated line filter
- Lo-Field/Hi-Field (Energy-saving mode)
- Field voltage/Field current variable according to customer spec.
- 4 Sigma peak current
- Color Touch Screen

## TECHNICAL PARAMETERS Cooling blower TB 7/FUK/20

Max. volume flow rate	5820 m³/h
Max. total pressure difference	16 kPa
Motor output	20 kW
Max. frequency	105 Hz
Hose diameter	175 mm
Hose length (Std.)	5 m
Total mass	131 kg
Dimensions (WxHxD)	625 x 773 x 602 mm
Max. sound pressure level	105 dB(A)
<b>Frequency converter (fixation to wall):</b>	
Mass	10 kg
Dimensions (WxHxD)	300 x 300 x 250 mm
Power supply (variable)	3~ / PE 400 V±5% 50 Hz CEE 63
Recommended fuse protection (Standard)	50 A slow
Max.current consumption at 400 V	38 A

### Options:

- Silencer TB 7/FUK-SI (Noise reduction 9 - 15 dB(A))
  - Dimensions (LxD): 1120 x 280 mm
  - Mass: 9.2 kg
- Acoustic enclosure TB 7/FUK-AE (Noise reduction 5 - 23 dB(A))
  - Dimensions (WxHxD): 1250 x 1393 x 1470 mm
  - Mass: 103 kg
- Water-cooled acoustic enclosure WWT (Noise reduction 30 dB(A))
  - Dimensions (WxHxD): 1500 x 2080 x 1200 mm
  - Mass: 800 kg
- Hose length according to customers request (up to 10 m)



Frequency converter (enclosure)



Cooling blower TB 7/FUK/20



Silencer TB 7/FUK-SI (optional)



Acoustic enclosure TB 7/FUK-AE (optional)