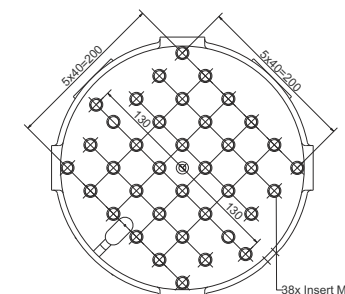
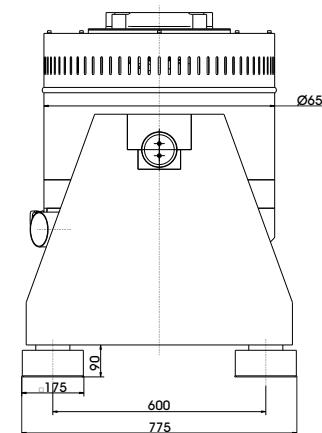
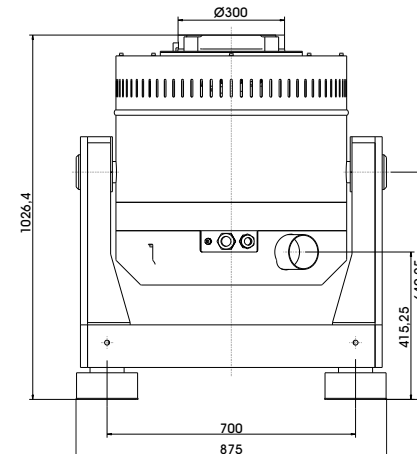


TECHNICAL PARAMETERS Vibration exciter S 57315/LSS-300

Rated peak force Sine _{pk} /Random _{RMS} /Shock _{pk} ¹	15000/11000/37500 N
Frequency range	1 - 2000 Hz
Main resonance frequency	>2000 Hz
Max. displacement Peak-Peak ²	100 mm
Max. velocity Sine/Random/Shock	2.0/2.0/4.5 m/s
Max. acceleration Sine/Random/Shock	90/66/225 g
Suspension stiffness	electronically adjustable
Effective moving mass	17.0 kg
Max. payload mass	80 kg
Total mass	1200 kg
Magn. stray field Std./low degaussing	<1.5/<0.8 mT
Armature diameter	300 mm
Interlocks	Temperature, displacement, cooling air, overcurrent

1) theoretical maximum shock value. Depends on payload, amplifier, shock and shock width
2) only with foundation mounting



Lochbild (Standard)

SCOPE OF DELIVERY, OPTIONS AND FEATURES OF THE SYSTEM

<p>Scope of delivery:</p> <ul style="list-style-type: none"> Vibration exciter 15 kN Trunnion mount Power amplifier 30 kVA Cooling blower Connection cables (each 5 m) Power cables (5 m) for amplifier (CEE 63 connector) Blower hose Ø140 mm (5 m) 	<p>Options:</p> <ul style="list-style-type: none"> Different hole pattern of armature (different pitch diameter and/or thread inserts) at customers request Low degaussing kit to further reduce stray magnetic field Wheels&Rails (incl. 3m rails) Squeak&Rattle (Silent operation without blower) Thermobarrier Chamber leadthrough Climatic chamber support kit Remote control (Software) Silencer for cooling blower (Noise reduction 3 - 6 dB(A)) Acoustic enclosure for cooling blower (Noise reduction 16 - 18 dB(A)) Cable extension Factory acceptance test 	<p>Features:</p> <ul style="list-style-type: none"> Vibration isolation < 6 Hz Coarse filter unit Fully automatic electronic load compensation Electronic zero point regulation with adjustable stiffness Automatic centering of the armature Degauss kit to reduce stray magnetic field Integrated mains switch and line filter Integrated field power supply 4 Sigma Peak current Made in Germany Servicehotline
--	---	---

TECHNICAL PARAMETERS Amplifier A 3 01 11 042 T

Output power _{RMS}	30000 VA
Frequency range	DC - 5 kHz
Voltage _{RMS} , max.	±212 V
Current _{RMS} , max.	200 A
Signal input voltage	10 V
Distortion	< 0.2 %
Signal to noise ratio	> 80 dB
Field voltage	140 V
Field current	8 A
Total mass	515 kg
Dimensions (WxHxD)	600 x 2200 x 800 mm
Power supply (Standard)	3~ / N / PE 400 V±5% 50 Hz, CEE 63
Recommended fuse protection (Standard)	63 A slow
Max. power consumption at 400 V (incl. blower)	38 kVA
Interlocks:	Overload, temperature

Features:

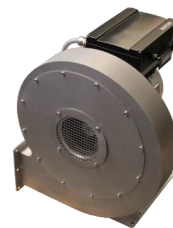
- Field supply integrated
- Mains switch and integrated line filter
- ESD-monitoring
(Protection of the system against damage)
- Field voltage/Field current variable according to customer spec.
- 4 Sigma peak current
- Electronic zero-point-regulation (TMC)

TECHNICAL PARAMETERS Cooling blower TB 120 FUK

Max. volume flow rate	1500 m³/h
Total pressure difference	10.2 kPa
Motor output	5.5 kW
Max. frequency	100 Hz
Hose diameter	140 mm
Hose length (Std.)	5 m
Total mass	61 kg
Dimensions (WxHxD)	487 x 637 x 487 mm
Max. sound pressure level	102 dB(A)
Power supply (standard)	by amplifier rack
Max. current consumption at 400 V	13 A

Options:

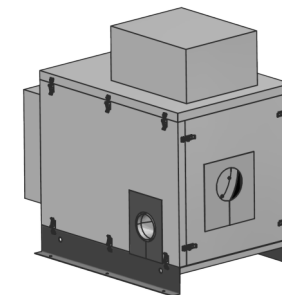
- Silencer TB 120-SI (Noise reduction 3 - 6 dB(A))
Dimensions (LxD): 1100 x 160 mm
Mass: 1.2 kg
- Acoustic enclosure TB 120-AE (Noise reduction 16 - 18 dB(A))
Dimensions (WxHxD): 1400 x 1300 x 800 mm
Mass: 134 kg
- Hose length according to customers request (up to 10 m)



Cooling blower TB 120 FUK



Silencer TB 120-SI (optional)



Acoustic enclosure TB 120-AE (optional)