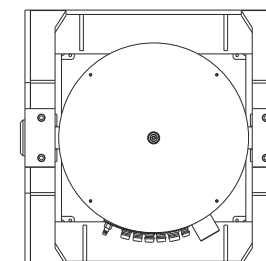
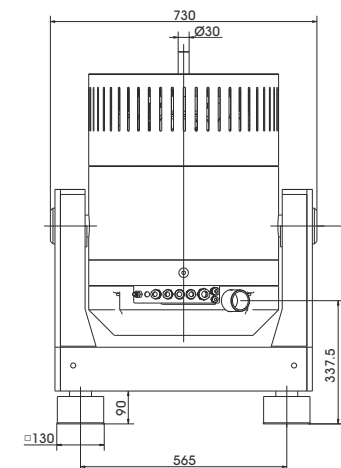
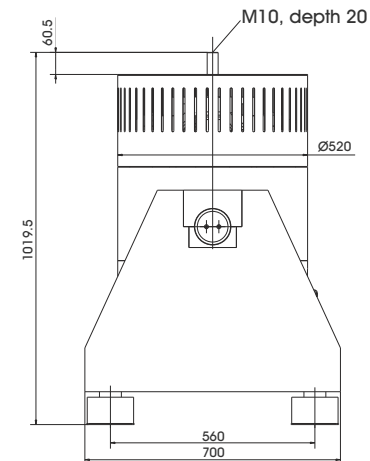


TECHNICAL PARAMETERS Modal exciter S 55240-M/LSS

Rated peak force Sine _{pk} /Random _{RMS}	4000/3400 N
Frequency range	1 - 2000 Hz
Main resonance frequency(free-swinging)	>2500 Hz
Max. displacement Peak-Peak ¹	100 mm
Max. velocity Sine/Random	2.0/2.0 m/s
Suspension stiffness	electronically adjustable
Effective moving mass	11.0 kg
Total mass	800 kg
Magn. stray field Std./low degaussing	<1.5/<0.8 mT
Coupling thread	M10
Interlocks	Temperature, displacement, cooling air, overcurrent

1) only with foundation mounting



SCOPE OF DELIVERY, OPTIONS AND FEATURES OF THE SYSTEM

<p>Scope of delivery:</p> <ul style="list-style-type: none"> Modal exciter 4 kN Trunnion mount Power amplifier 15 kVA Cooling blower Connection cables (each 5 m) Power cables (5 m) for amplifier (CEE 32 connector) Blower hose ø60 mm (5 m) 	<p>Options:</p> <ul style="list-style-type: none"> Wheels&Rails (incl. 3m rails) Squeak&Rattle (Silent operation without blower) Remote control (Software) Low degaussing kit to further reduce stray magnetic field Silencer for cooling blower (Noise reduction up to 6 dB(A)) Acoustic enclosure for cooling blower (Noise reduction 15 - 23 dB(A)) Cable extension Factory acceptance test 	<p>Features:</p> <ul style="list-style-type: none"> Vibration isolation < 6 Hz Coarse filter unit Fully automatic electronic load compensation Electronic zero point regulation with adjustable stiffness Automatic centering of the armature Degauss kit to reduce stray magnetic field Integrated mains switch and line filter Integrated field power supply 4 Sigma Peak current Made in Germany Servicehotline
--	---	---

TV 55240-M/LSS

TIRA Vibration Test Systems

TECHNICAL PARAMETERS Amplifier A 1 01 11 021 T

Output power _{RMS}	15000 VA
Frequency range	DC - 5 kHz
Voltage _{RMS} , max.	±212 V
Current _{RMS} , max.	100 A
Signal input voltage	10 V
Distortion	< 0.2 %
Signal to noise ratio	> 80 dB
Field voltage	140 V
Field current	8 A
Total mass	450 kg
Dimensions (WxHxD)	600 x 1740 x 800 mm
Power supply (Standard)	3~ / N / PE 400 V±5% 50 Hz, CEE 32
Recommended fuse protection (Standard)	32 A slow
Max. power consumption at 400 V (incl. blower)	7.7 kVA
Interlocks:	Overload, temperature
Features:	
Field supply integrated	
Mains switch and integrated line filter	
ESD-monitoring (Protection of the system against damage)	
Field voltage/Field current variable according to customer spec.	
4 Sigma peak current	
Electronic zero-point-regulation (TMC)	

TECHNICAL PARAMETERS Cooling blower TB 0310

Volume flow rate	max. 315 m³/h
Total pressure difference	max. 290 mbar
Power	4 kW
Frequency	50 Hz
Hose diameter	60 mm
Hose length (Std.)	5 m
Total mass	42 kg
Dimensions (WxHxD)	382 x 384 x 432 mm
Sound pressure level, max.	max. 69 dB(A)
Power supply (standard)	by amplifier rack
Max. current consumption at 400 V	7.2 A
Options:	
Silencer TB 0310-SI (Noise reduction up to 6 dB(A))	
Dimensions (LxD): 308 x 82 mm	
Mass: 0.58 kg	
Acoustic enclosure TB 0310-AE (Noise reduction 15 - 23 dB(A))	
Dimensions (WxHxD): 650 x 760 x 860 mm	
Mass: 55 kg	
Hose length according to customers request (up to 10 m)	



Cooling blower TB 0310



Silencer TB 0310-SI (optional)



Acoustic enclosure TB 0310-AE (optional)