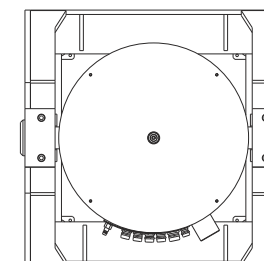
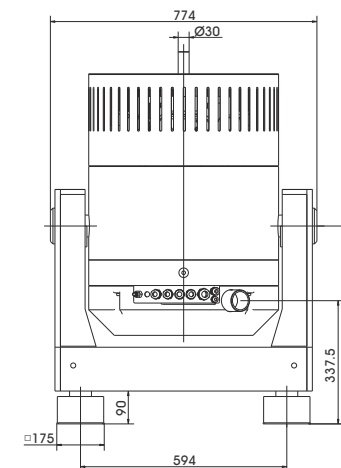
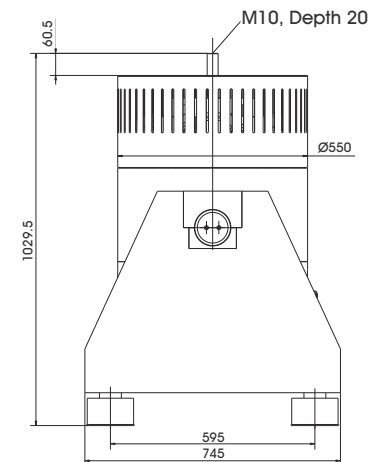


## TECHNICAL PARAMETERS Modal exciter S 56280-M/LSS

Rated peak force Sine <sub>pk</sub> /Random <sub>RMS</sub>	8000/6000 N
Frequency range	1-2000 Hz
Main resonance frequency(free-swinging)	>2500 Hz
Max. displacement Peak-Peak <sup>1</sup>	100 mm
Max. velocity Sine/Random	2.0/2.0 m/s
Suspension stiffness	electronically adjustable
Effective moving mass	12.0 kg
Total mass	850 kg
Magn. stray field Std./low degaussing	<1.5/<0.8 mT
Coupling thread	M10
Interlocks	Temperature, displacement, cooling air, overcurrent

1) only with foundation mounting



## SCOPE OF DELIVERY, OPTIONS AND FEATURES OF THE SYSTEM

<p><b>Scope of delivery:</b></p> <ul style="list-style-type: none"> <li>Modal exciter 8 kN</li> <li>Trunnion mount</li> <li>Power amplifier 15 kVA</li> <li>Cooling blower</li> <li>Connection cables (each 5 m)</li> <li>Power cables (5 m) for amplifier (CEE 32 connector)</li> <li>Blower hose ø140 mm (5 m)</li> </ul>	<p><b>Options:</b></p> <ul style="list-style-type: none"> <li>Wheels&amp;Rails (incl. 3m rails)</li> <li>Squeak&amp;Rattle (Silent operation without blower)</li> <li>Remote control (Software)</li> <li>Low degaussing kit to further reduce stray magnetic field</li> <li>Silencer for cooling blower (Noise reduction 3 - 6 dB(A))</li> <li>Acoustic enclosure for cooling blower (Noise reduction 16 - 18 dB(A))</li> <li>Cable extension</li> <li>Factory acceptance test</li> </ul>	<p><b>Features:</b></p> <ul style="list-style-type: none"> <li>Vibration isolation &lt; 6 Hz</li> <li>Coarse filter unit</li> <li>Fully automatic electronic load compensation</li> <li>Electronic zero point regulation with adjustable stiffness</li> <li>Automatic centering of the armature</li> <li>Degauss kit to reduce stray magnetic field</li> <li>Integrated mains switch and line filter</li> <li>Integrated field power supply</li> <li>4 Sigma Peak current</li> <li>Made in Germany</li> <li>Servicehotline</li> </ul>
---	---	---

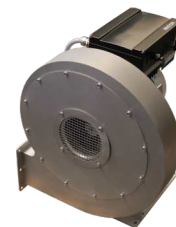
## TECHNICAL PARAMETERS Amplifier A 1 02 11 021 T

Output power <sub>RMS</sub>	15000 VA
Frequency range	DC - 5 kHz
Voltage <sub>RMS</sub> , max.	±212 V
Current <sub>RMS</sub> , max.	100 A
Signal input voltage	10 V
Distortion	< 0.2 %
Signal to noise ratio	> 80 dB
Field voltage	280 V
Field current	6 A
Total mass	450 kg
Dimensions (WxHxD)	600 x 1740 x 800 mm
Power supply (Standard)	3~ / N / PE 400 V±5% 50 Hz, CEE 32
Recommended fuse protection (Standard)	32 A slow
Max. power consumption at 400 V (incl. blower)	16 kVA
Interlocks:	Overload, temperature
<b>Features:</b>	
Field supply integrated	
Mains switch and integrated line filter	
ESD-monitoring (Protection of the system against damage)	
Field voltage/Field current variable according to customer spec.	
4 Sigma peak current	
Electronic zero-point-regulation (TMC)	



## TECHNICAL PARAMETERS Cooling blower TB 9 FUK

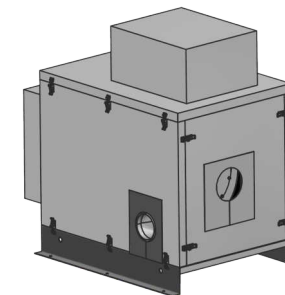
Max. volume flow rate	1080 m³/h
Total pressure difference	9 kPa
Motor output	4 kW
Max. frequency	90 Hz
Hose diameter	140 mm
Hose length (Std.)	5 m
Total mass	60 kg
Dimensions (WxHxD)	505 x 598 x 464 mm
Max. sound pressure level	99 dB(A)
Power supply (standard)	by amplifier rack
Max. current consumption at 400 V	7.9 A
<b>Options:</b>	
Silencer TB 9-SI (Noise reduction 3-6 dB(A)) Dimensions (LxD): 1012 x 150 mm Mass: 1.2 kg	
Acoustic enclosure TB 9-AE (Noise reduction 16 - 18 dB(A)) Dimensions (WxHxD): 1400 x 1300 x 800 mm Mass: 134 kg	
Hose length according to customers request (up to 10 m)	



Cooling blower TB 9 FUK



Silencer TB 9-SI (optional)



Acoustic enclosure TB 9-AE (optional)