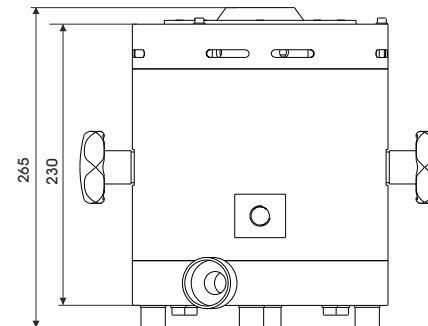


## TECHNICAL PARAMETERS Vibration exciter S 51110-C

Rated peak force Sine <sub>pk</sub> /Random <sub>RMS</sub> <sup>1</sup>	100/50 N
Frequency range	10 - 25000 Hz
Main resonance frequency	>25000 Hz
Max. displacement Peak-Peak <sup>2</sup>	4 mm
Max. velocity	1.2 m/s
Max. acceleration Sine/Random	25/12 g
Effective moving mass	0.40 kg
Total mass	33 kg
Armature diameter	54 mm



1) Random force according to ISO 5344:2004

2) Payload has an impact on the possible maximum displacement

## SCOPE OF DELIVERY, OPTIONS AND FEATURES OF THE SYSTEM

### Scope of delivery:

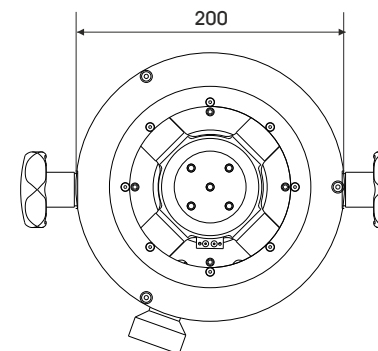
Vibration exciter 100 N  
Power amplifier 200 VA  
Connection cable (5 m)  
Power cable (1.5 m)  
for amplifier (CEE 7/7 connector)

### Options:

Trunnion mount  
Cable extension  
Factory acceptance test

### Features:

Vibration isolation  
High cross-axial stiffness  
Vibration system made of ceramic material  
Minimum maintenance effort  
Made in Germany  
Service hotline



## TECHNICAL PARAMETERS Power Amplifier DA 200

Output power <sub>RMS</sub>	200 VA
Frequency range	1.5 - 22000 Hz
Voltage-/Current mode	yes/no
Voltage <sub>RMS</sub> max.	30 V
Current <sub>RMS</sub> max.	10 A
Signal input voltage <sub>RMS</sub>	7 V
Distortion	< 0,1 %
Signal to noise ratio	> 90 dB
Total mass	3.5 kg
Dimensions (WxHxD)	390 x 80 x 260 mm
Power supply (Standard)	1 ~ / N / PE 100...264 V 50..60 Hz CEE 7/7
Recommended fuse protection (Standard)	10 A slow
Max. power consumption at 230 V	75 VA (operation with S 51110-C)
Interlocks:	Overload, Temperature, Clipping

### Features:

High Signal to noise ratio of >90 dB  
Low distortion factor of < 0.1 %  
Safety management system monitors functions as temperature, overcurrent and overvoltage

