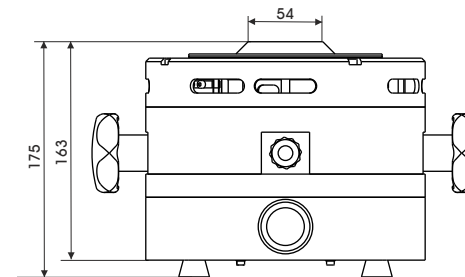


TECHNICAL PARAMETERS Vibration exciter S 51140-C

Rated peak force Sine _{pk} /Random _{RMS}	400/200 N
Frequency range	10-20000 Hz
Main resonance frequency	> 19000 Hz
Max. displacement Peak-Peak	4 mm
Max. velocity Sine/Random	1.2/1.2 m/s
Max. acceleration Sine/Random	68/34 g
Effective moving mass	0.6 kg
Weight	21 kg
Armature diameter	54 mm



SCOPE OF DELIVERY, OPTIONS AND FEATURES OF THE SYSTEM

Scope of delivery:

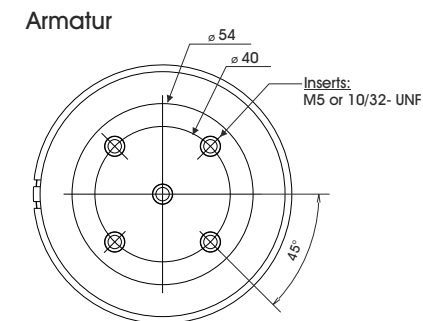
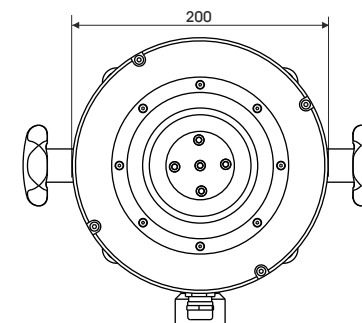
Vibration exciter 400 N
Trunnion mount
Power amplifier 1200 VA
Cooling blower
Connection cable (5 m)
Power cable amplifier (1.5 m)
Blower hose ø40 mm (3 m)

Options:

Rack for mounting the amplifier
Remote control (Hardware)
Silencer
for cooling blower (Noise reduction up to 8 dB(A))
Acoustic enclosure
for cooling blower (Noise reduction 15 - 23 dB(A))
Cable extension
Factory acceptance test

Features:

Vibration isolation
Coarse filter unit
Automatic centering of the armature
High cross-axial stiffness
Vibration system made of ceramic material
Minimum maintenance effort
Made in Germany
Servicehotline



TECHNICAL PARAMETERS Amplifier BAA 1000

Output power _{RMS}	1200 VA
Frequency range	2 Hz - 20 kHz
Voltage _{RMS} max.	72 V
Current _{RMS} max.	18 A
Signal input voltage _{RMS}	< 5 V
Distortion	< 0.1 %
Signal to noise ratio	> 90 dB
Weight	45 kg
Dimensions (WxHxD)	483 x 190 x 600 mm
Power supply (Standard)	1 ~ / N / PE 230 V ±5% 50 Hz, CEE 7/7
Recommended fuse protection (Standard)	16 A slow
Max. power consumption at 230 V	1.22 kVA
Interlocks:	Overload, temperature, clipping and more

Features:

High Signal to noise ratio of >90 dB

TECHNICAL PARAMETERS Cooling blower TB 0140

Volume flow rate	max. 140 m ³ /h
Total pressure difference	max. 120 mbar
Power	1.1 kW
Frequency	50 Hz
Hose diameter	50 mm
Hose length (Std.)	3 m
Weight	16 kg
Dimensions (WxHxD)	286 x 302 x 292 mm
Sound pressure level, max.	max. 63 dB(A)
Power supply (Standard)	1 ~ / N / PE 230 V ±5% 50 Hz, CEE 7/7
Max. power consumption at 400 V	1.4 kVA

Options:

Silencer (Noise reduction up to 8 dB(A))

Dimensions (LxD): 308 x 82 mm

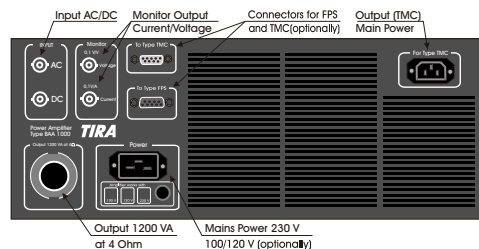
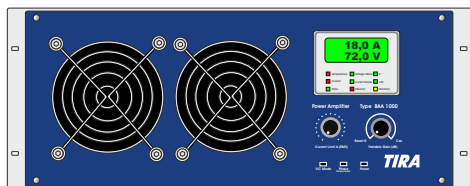
Weight: 0.2 kg

Acoustic enclosure (Noise reduction 15 - 23 dB(A))

Dimensions (WxHxD): 795 x 841 x 699 mm

Weight: 45 kg

Hose length according to customers request (up to 10 m)



Cooling blower TB 0140



Silencer TB 0140-SI (optional)



Acoustic enclosure TB 0140-AE (optional)